

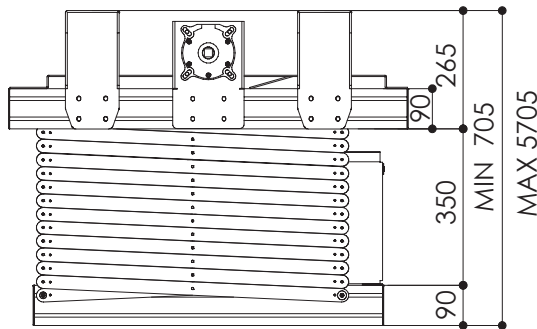


# Product data sheet

## PPL 22500

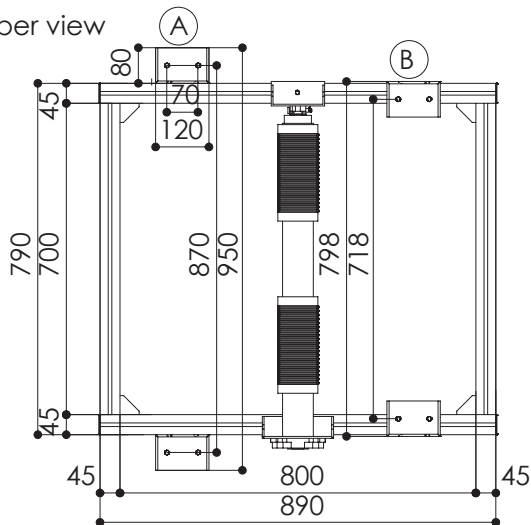
Dimensions in mm

Side view closed

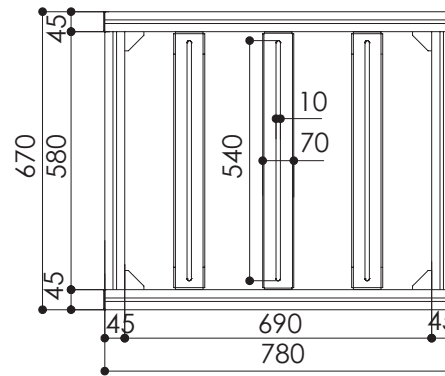


- (A) Brackets turned outside
- (B) Brackets turned inside

Upper view



Projector anchoring points



### TECHNICAL SPECIFICATIONS

Power supply	220-230 V, 50 Hz
Maximum consumption	265 W
Dimensions lift closed	798 x 705 x 890 mm (WxHxD)
Dimensions lift opened	798 x 5705 x 890 mm (WxHxD)
Maximum weight	70 kg
Roll up speed	19 sec/m
Roll down speed	24 sec/m
Cable management system	Included
Universal projector adapter	
Up/down wall switch	
RF Remote	